



## CONTROL ELEMENTS



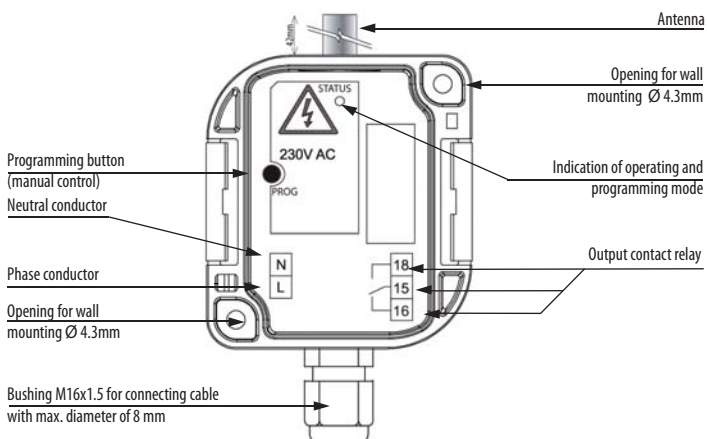
### EAN code

RFUS-11: 8595188140546 / RFUS-61: 8595188145268

Technical parameters	RFUS-11	RFUS-61
Supply voltage:	230 V AC / 50 - 60 Hz	
Apparent power:	5 VA / $\cos \varphi = 0.1$	
Dissipated power:	0.6 W	
Supply voltage tolerance:	+10 %; -15 %	
<b>Output</b>		
Rated current:	1 x switching (AgSnO <sub>2</sub> )	
Number of contacts:	12 A / AC1	
Switching power:	3000 VA / AC1, 384 W / DC	
Peak current:	30 A / <3 s	
Peak current:	250 V AC1 / 24 V DC	
Min. switching power DC:	500 mW	
Mechanical service life:	3x10 <sup>7</sup>	
Electrical service life (AC1):	0.7x10 <sup>5</sup>	
<b>Controlling</b>		
RF command from the transmitter:	868 MHz	
Manual control:	button PROG (ON/OFF)	
Range in open space:	up to 200 m	
<b>Further data</b>		
Operating temperature:	-15 up to + 50 °C	
Operating position:	any	
Mounting:	screws	
Protection:	IP 65	
Overvoltage category:	III.	
Contamination degree:	2	
Cross-section of connecting wires (mm <sup>2</sup> ):	max. 1x2.5, max. 2x1.5/s a hollow max. 1x2.5	
Recommended power cord:	CYKY 3x1.5 (CYKY 4x1.5)	
Dimensions:	136 x 62 x 34 mm	
Weight:	146 g	
Related standards:	EN 60669, EN 300 220, EN 301 489 Directives RTTE, NV.426/2000Sb (directives 1999/ES)	

\* For more information, see p. 48

## Description of the device

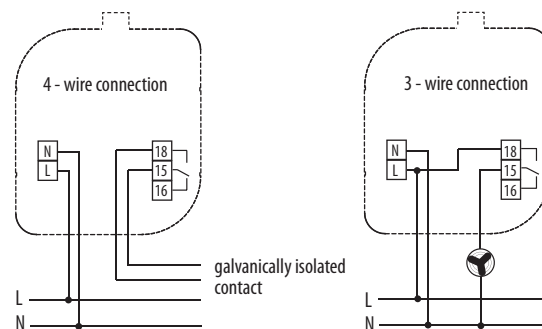


- RF switching actuators with enhanced IP 65 protection are designed for use in harsh environments: dusty, dirty environments, outdoors, cellars, greenhouses, boiler rooms, reservoirs and tanks, refrigeration boxes, etc.
- RFUS-11:** single-function design - switch on, switch off
- RFUS-61:** multifunction design - button switch on/off, impulse relays, delayed return, delayed start
- programming and manual control ON/OFF is performed using the Prog button, placement inside cabinet
- switching actuators may be controlled by up to 32 channels
- option of assigning receivers to the RF Control system
- device status signaling by LED on the front cover
- bushing M16x1.5 for connecting cable with max. diameter of 8 mm

## Functions and their programming

<b>1 Button</b>  <b>1x press</b> The output contact will close by pressing the button and open by releasing the button.	<b>2 Close</b>  <b>2x press</b> The output contact will close by pressing the button.	<b>3 Switch off</b>  <b>3x press</b> The output contact will close by pressing the button.
<b>4 Impulse relay</b>  <b>4x press</b> The output contact will switch to the opposite position with each press of the button. If the contact was closed, it will open and vice versa.	<b>5 Delayed return</b>  <b>5x press</b> The output contact will open by pressing the button and close after the set time interval has elapsed.	<b>6 Delayed start</b>  <b>6x press</b> The output contact will open by pressing the button and close after the set time interval has elapsed.

## Description of the device



## Example of use

