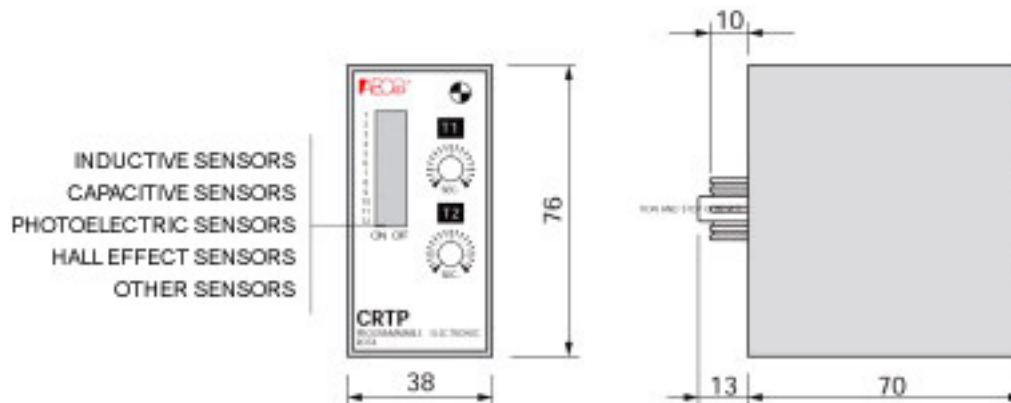




CODICE : **CRP000006** DESCRIZIONE : **CRTP 110/220Vac**



TECHNICAL CHARACTERISTICS

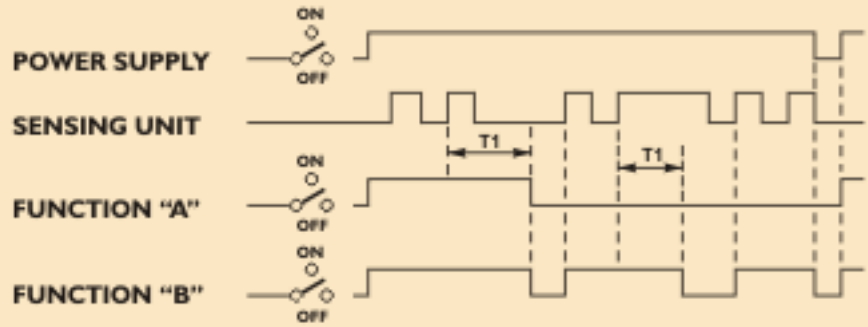
WORKING VOLTAGE	110/220 Vac
SWITCHING DISTANCE (S _n)	50% SWITCHING DISTANCE OF THE SENSOR USED
DETECTABLE ROTATIONS RANGE (RPM)	0.1 ÷ 2400
DELAYED ALARM ACTIVATION TIME	0.3 ÷ 10 sec
RESPONSE TIME	SEE INSTRUCTIONS FOR INSTALLATION
BLOCK FUNCTION - A	PROGRAMMABLE
AUTORESET FUNCTION - B	PROGRAMMABLE
ABSORPTION	1.5 VA @ RELAY ON
OUTPUT VOLTAGE	12 V
OUTPUT TYPE	CHANGEOVER RELAY
MAX SUPPLY CURRENT	50 mA
MAX OUTPUT CURRENT	5A @ 240 Vac
LED	PRESENT
TEMPERATURE LIMITS	-20 ÷ +60 °C
IP RATING	IP 40
HOUSING MATERIAL	PLASTIC
WEIGHT	330 g



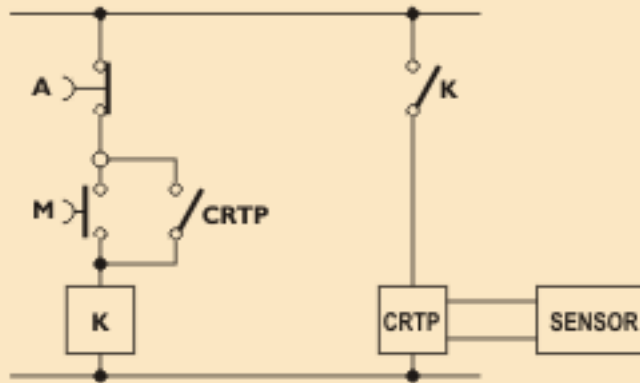
CODICE : CRP000006 DESCRIZIONE : **CRTP 110/220Vac**

NORME DI INSTALLAZIONE

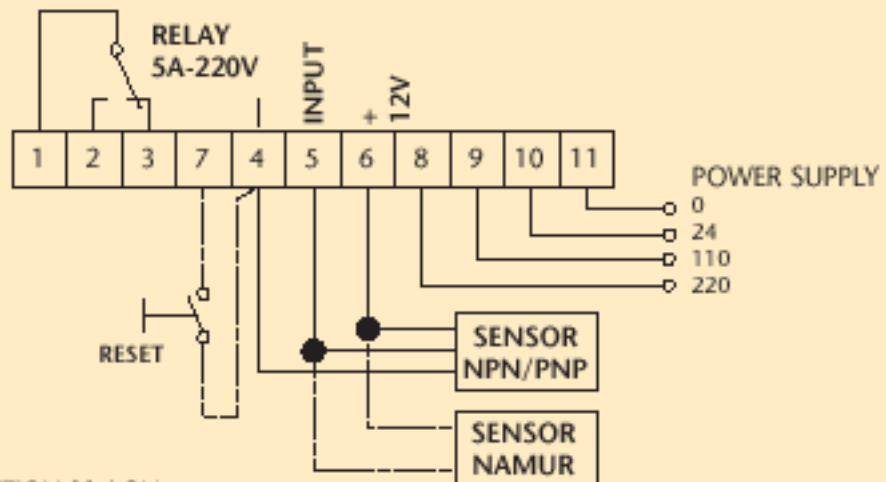
WORKING DIAGRAM



TYPICAL WORKING DIAGRAM



WIRING DIAGRAMS



SENSOR NPN = POSITION 11 / ON
 SENSOR PNP / NAMUR = POSITION 11 / OFF



CODICE : **CRP000006** DESCRIZIONE : **CRTP 110/220Vac**

NORME DI INSTALLAZIONE

CONVERSION TABLE RPM/TIME AND PROGRAMMABLE FUNCTIONS

DIP SWITCH position	Number of RPM	T1 Seconds	Chart 1	
1	2,3	0,1	25,6	512
2	9,3	0,4	6,4	128
3	37,5	1,8	1,8	32
4	75	3,7	0,8	16
5	150	7,5	0,4	8
6	300	15	0,2	4
7	600	30	0,1	2
8	1200	60	0,05	1
9	2400	120	0,03	0,5
10	ON (A FUNCTION)	OFF (B FUNCTION)		
11	ON (NPN SENSOR)	OFF (PNP/NAMUR SENSORS)		
12	ON (SHAFT STANDSTILL)	OFF (ROTATION CONTROL)		

ON ↔ OFF

N.B. The positions from 1 ÷ 9 (Preselection ON) programme the time or RPM ranges. Positions 10-11-12 programme the available functions.