

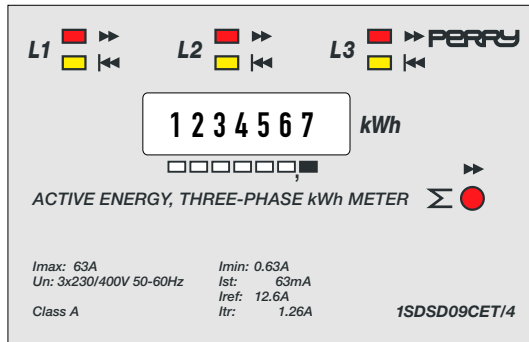
PRODUCT DETAILS

Three phase kWh meter 3x230/400V 50-60Hz 63A 4DIN Perry 1SDSD09CET/4

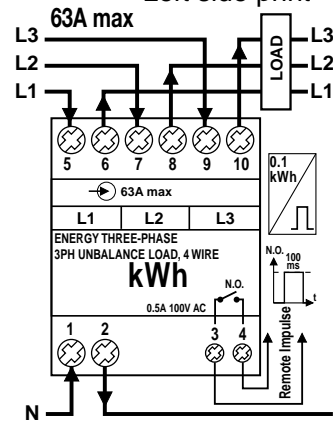
Identification codes

Bar Code	8019108 210596	Internal Code	1SDSD09CET/4
----------	----------------	---------------	--------------

Front print



Left side print

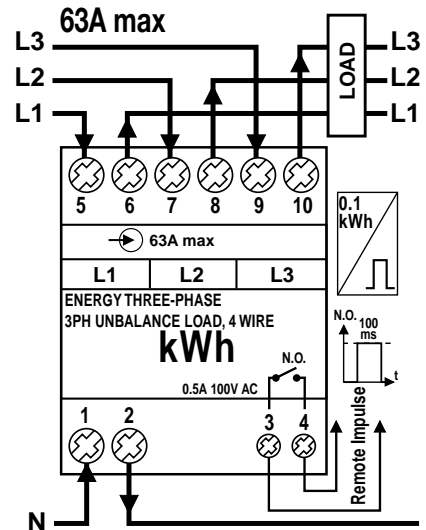


TECHNICAL CHARACTERISTICS

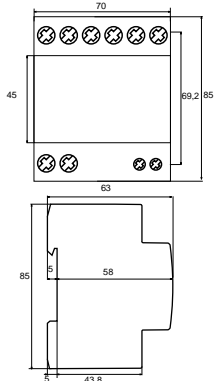
This kWh meter counts the consumption of ACTIVE ENERGY in single phase 400V nets, up to 63A max current. It has an 100ms impulsive output open-collector system every 100W.

Auxiliary power supply	400V +/-10% 50-60Hz
Protection degree	IP20
Resolution	0,01 kWh
Accuracy class	Class A
Display	999999,9 kWh
Digit numbers	6 Entires+ 1 decimals
Reset	No
Nominal voltage	Un= 2x230/400V
Maximum current (I _{max})	I _{max} = 63A
Minimum start current	I _{st} = 63mA
Minimum current	I _{min} = 0.63A <small>(The lowest value of the current at which this European Standards specifies accuracy requirements. At and above I_{min} up to I_{tr} relaxed accuracy requirements apply of apply)</small>
Transitional current	I _{tr} = 1.26A <small>(The value of the current at, and above, which, up to I_{max} full accuracy requirements of this European Standards apply)</small>
Power factor	Cos ϕ = 0.5-1-0.8
Energy	Readable for all the values of the cos ϕ from 0.5 to 1
Working temperature	-5°C +50°C
Output pulse	> 100ms (Relè reed 0.5A 100V AC N.O.) 1 impulse every 0,1kWh
Din rail max temperature	55°C
Storage temperature	-25°C +70°C
Burden current/voltage	1VA / 3VA each phase
Connection cable	20-60AWG 16mmq
Dimensions	4DIN Modules
Standards	EN50470-1, EN50470-3 e EN 62059-41

Connection diagram



Dimensions in mm



Weight: 0,13 kg

Signalling leds

- Yellow led OFF (light -off) = CORRECT CONNECTION
- Yellow led ON (light-on) = ERROR ON CONNECTION
- Flashing Red led : 1 flash =1W
- Flashing Red led : 8 flashes =5W

Flashing Red led =Active consumption, flashing rate is related to the consumption

- Σ Flashing Red led = 1 flashes = 100W = 1 reposition of decimal point
- Σ Flashing Red led = 100 flashes = 1kW
- Readable for all the values of cos phi from 0.5 to 1



■ \leftarrow L1-L2-L3

YELLOW LED (ON) =Error on connection
 YELLOW LED (OFF)= Connection OK
 (Indication AFTER 10 red LED flashes)

■ \rightarrow L1-L2-L3

RED LED (ON) 1 Watt every flash
 RED LED (ON) 8 flashes= 5 Watt

Σ \rightarrow ● \rightarrow

RED LED (ON) 1 flashes=100 Watt = 1 reposition of decimal point
 RED LED (ON) 10 flashes = 1kW

Descrizione: **Three-phase kWh meter 230V 50-60Hz 63A 4DIN Perry 1SDSD09CET/4**

Disegnato: Controllato: Numero disegno: RCETM63PY D 002

Data: 8 Gennaio 2008 Revisione 1 data: Revisione 2 data: Revisione 3 data: Revisione 4 data: Revisione 5 data:

PERRY®