

DIGITAL NETWORK ANALYSER

MPR-53 / EPM-07 Series



MPR-53S-96



Modbus / Ethernet Gateway



General

MPR-53 / EPM-07 series measures many parameters of an electric network. More than 50 parameters are displayed.

- **EPM-07** : Network Analyser.
- **EPM-07S** : Network Analyser with RS-485 (MODBUS).
- **MPR-53** : Network Analyser with THD measurement.
- **MPR-53S** : Network Analyser with THD measurement and RS-485 (MODBUS).

- IEC 61000-6-2, IEC 61000-6-4, IEC 61010-1



Modbus



Harmonics



Alarm Contact



Max. Demand

Product Code

	% THD I	% THD V	Neutral Current	Digital Input	Energy Pulse Output	Dual Energy Meter	6 Different Energy Calculation Methods	.../5A	CT-25 (210A)	Alarm Contact	RS-485 Comm.	Pcs / Carton
--	---------	---------	-----------------	---------------	---------------------	-------------------	--	--------	--------------	---------------	--------------	--------------

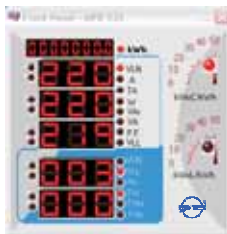
EPM-07 -96			●	●	●	●	●	●				12
EPM-07 -DIN			●	●	●	●	●	●				12
EPM-07S -96			●	●	●	●	●	●			●	12
EPM-07S -DIN			●	●	●	●	●	●			●	12
MPR-53 -96	●	●	●	●	●	●	●	●				12
MPR-53 -DIN	●	●	●	●	●	●	●	●				12
MPR-53S -96	●	●	●	●	●	●	●	●		●	●	12
MPR-53S -DIN	●	●	●	●	●	●	●	●		●	●	12
MPR-53S -DIN-CT25 (new)	●	●	●	●	●	●	●	●	●			12
EPM-07S -DIN-CT-25 (new)			●	●	●	●	●	●	●			12

● Optional - Min. Order Quantity is 200pcs/device.
 ● (Soon)

PC Interface Software (MPR-SW) :

MPR-SW is a graphic based software, which enables remote monitoring via intranet or internet.

Please refer to page 20 for MPR-SW Software.



MPR-53S-DIN-CT25

CT-25 is a Current Transformer, which is used together with MPR-53S-DIN-CT25 model.

It is a unique solution, which replaces conventional type CTs up to 210A.

Phase - Neutral Voltages (V_{LN})	Neutral Current	Active Power (P)	Active Energy - Import (kWh)
Phase - Phase Voltages (V_{LL})	Total Current (ΣI)	Reactive Power (Q)	Active Energy - Export (kWh)
Average Phase - Neutral Voltage	Power Factor (P.F)	Apparent Power (S)	Reactive Energy - Capacitive (kVArh)
Average Phase - Phase Voltage	$\cos\phi$	Total Active Power (ΣP)	Reactive Energy - Inductive (kVArh)
Max. Demand	Frequency (Hz)	Total Reactive Power (ΣQ)	
Phase Currents (I)	Max / Min. Values	Total Apparent Power (ΣS)	

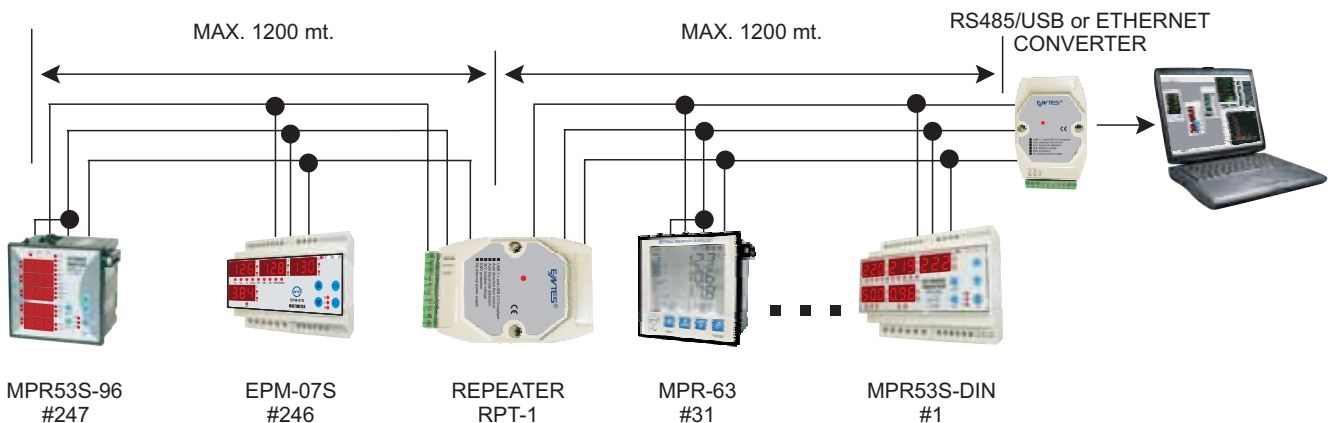
Measured Parameters (EPM-07 / 07S)

+

Total Harmonic Distortion for Voltage (THD V %)	Total Harmonic Distortion for Current (THD I %)
---	---

Measured Parameters (MPR-53 / MPR-53S)

247 DEVICES CAN BE CONNECTED SERIALLY BY USING REPEATERS



DIGITAL NETWORK ANALYSER

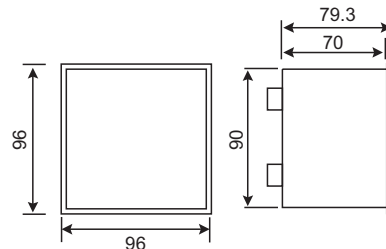
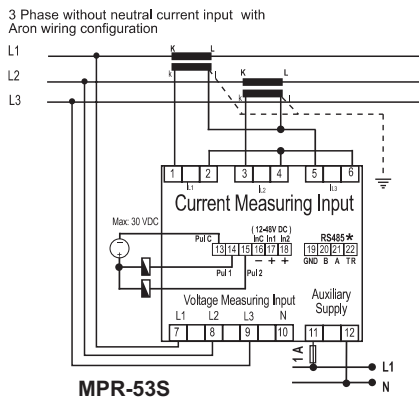
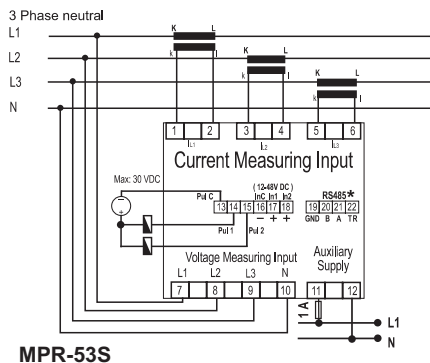
MPR-53 / EPM-07 Series

MODEL	EPM-07	EPM-07S	MPR-53	MPR-53S
SPECIFICATIONS				
Functions				
THD %V, THD %I			●	●
RS-485 Communication		●		●
Energy Pulse Output	●	●	●	●
Display Demand Value	●	●	●	●
Display Max/Min Values	●	●	●	●
Password Protection	●	●	●	●
Electrical Parameters				
Operating Voltage	230 V AC* $\pm 10\%$; 45 / 65 Hz			
Network Type	3-phase / 4-wire (Star) 3-phase / 3-wire (Delta) 3-phase / 3-wire (Aron)			
Accuracy	1% ± 1 digit			
Current Transformer Ratio	1...2000 (programmable)			
Voltage Transformer Ratio	0,1...4000,0 (programmable)			
Measurement input				
Voltage	10 - 300 V AC (L-N), 10 - 500 V AC (L-L)			
Current	50 mA - 5,5 A			
Measurement Ranges				
THD	-	0-99.9 %		
Voltage	10 - 500 V (direct), 10 - 400 kV (with voltage transformer)			
Current	50 mA - 5,5 A (direct), 50 mA - 10.000 A (with current transformer)			
Frequency	20 - 90 Hz			
Power Factor	4 quadrant			
Power	0 - 200 M (W, VA, VA)			
Energy	0 - 99 999 999 999,9 kWh, kVArh			
Power Consumption	< 4 VA			
Burden	< 1 VA (Current burden), < 0,5 VA (Voltage burden)			
Demand Time	1 - 60 min. (programmable)			
Communication Interface	MODBUS RTU (RS-485) [for EPM-07S & MPR-53S]			
Baud Rate	1200 - 38400 bps			
Address	1 - 247			
Parity	No, odd, even			
Digital Input	2 Digital Inputs			
Input Pulse Width	50 msec. (Min.)			
Operation Voltage	5...24 V DC, 30 V DC (Max.)			
Energy Pulse Output	NPN Transistor			
Switch Period	Min. 1,6 sec. (400 msec. pulse width)			
Operation Current	Max. 50 mA			
Operation Voltage	5...24 V DC, max. 30 V DC			
Display	Red LED ; 10 mm Height			
Mechanical Parameters				
Equipment Protection	Double Insulation (<input type="checkbox"/>), Measurement Category III			
Ambient Operating Temperature	-5°C, +55°C			
Degree of Protection	IP40 (front panel)			
Connection / Installation	Terminal / Flush-mounting with rear terminals			
Dimensions	96x96 mm (PR19**), DIN6 (PK26**)			
Weight / each	0,6 kg (PR19) ; 0,6 kg (DIN6)			
Quantity in 1 package	12 pcs (PR19), 12 pcs (DIN6)			

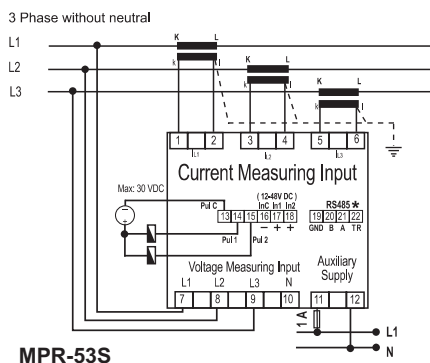
Connection Diagram

Dimensions

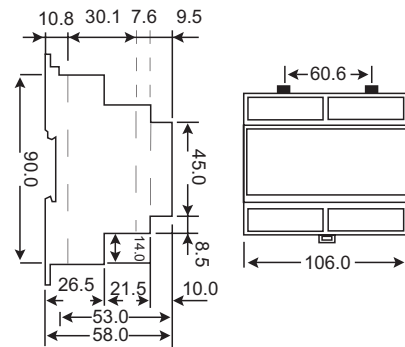
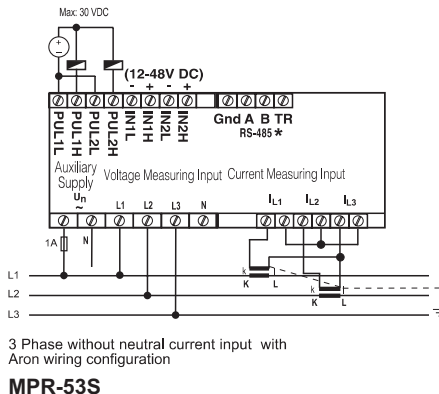
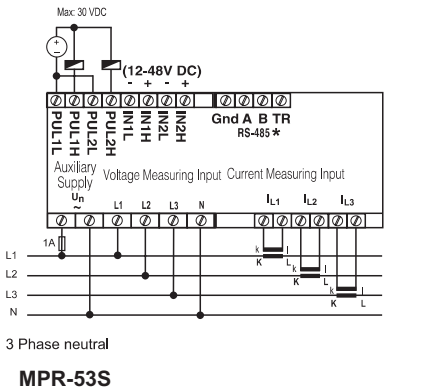
(PR 19- 96x96mm)



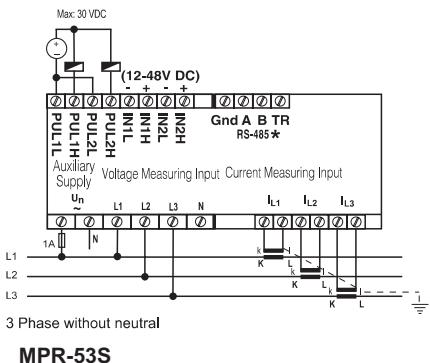
TYPE PR 19



(PK 26 - DIN6)



TYPE DIN / PK 26



Connection diagrams are given for reference. Please always check the latest user manual given with product or download from www.entes.com.tr.